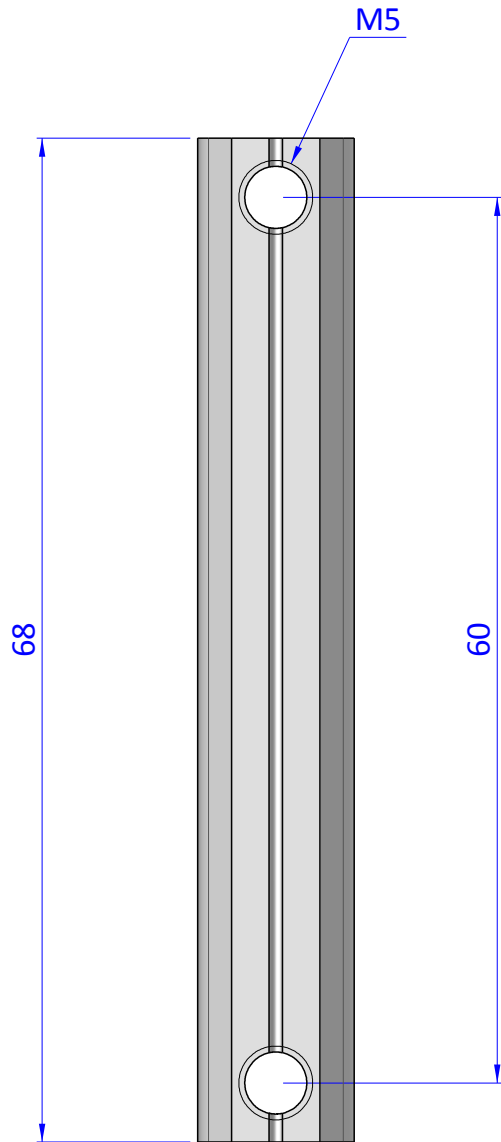
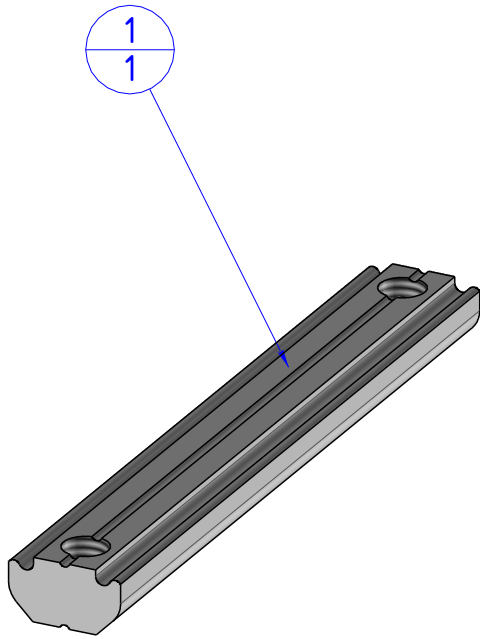
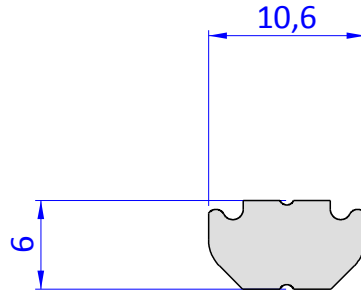
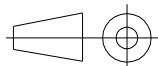


THE PROPERTY OF THE DRAWING IS ESTABLISHED BY LAW. IT IS FORBIDDEN TO PRODUCE OR SHOW IT TO THIRD PART. WITHOUT A WRITTEN AGREEMENT.

Item	Name	Q.ty
1	GWP.5.60	1



FP SERVICES
AUTOMATION



DESIGNED FROM

FPSERVICES

REVIEW

A / 1

DATE

12/10/2018

WEIGHT

0,027kg

Format A4

GENERAL TOLERANCE

UNI - ISO 2768

CLASSE f

DESCRIPTION

CA.GWP.5.60

CODE

CA.GWP.5.60

UNI 936-76